



Coils for Minivalves (for solenoid operated directional valves) Type 32-1329

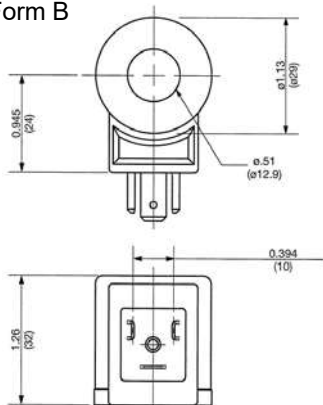
for following valves:

WS06Z
WK06W
WK06Y
WK06G
WK06J

WS06Y
WK06C
WK06E
WK06H

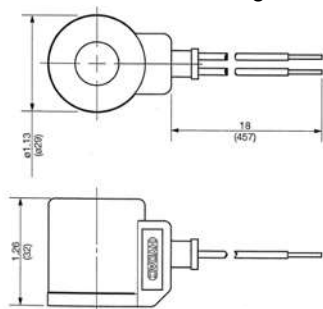
Connector type G

DIN Plug to EN175-301-803
Form B



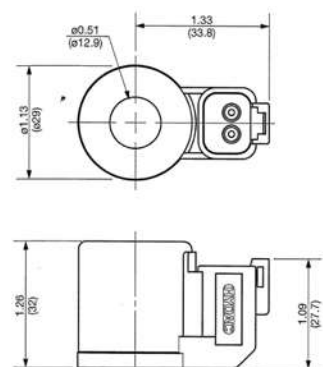
Connector type L

2 leadwires, 450mm long



Connector type N

Deutsch Plug, 2-poles (Type DT04-2P)



FEATURES-

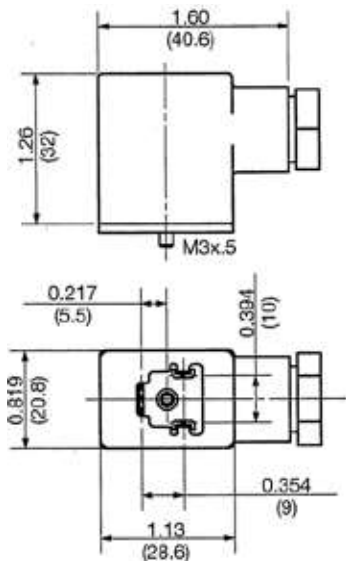
- **Maximal force at minimal space requirement**,
by perfect wound coil - maximal copper : avoids damages of the insulation of the wires (breakdown by short-circuits)
- **Fully closed coil**
internal coil sealing avoids humidity and short-circuits in the winding
- **Designed for 100% coil duty rating**
at I_{max} and ambient temperatures from -20° up to +60°C
- **Small energy consumption**
by optimal design of force – energy ratio
- **High mechanical resistance**,
by zinc plated steel cover
- **High thermal stability**,
to U.L. class N (180°C)
- **Standardized 3 different electrical connectors with IP ratings IP65, IP67 and IP6K9K**
DIN/EN Plug (G) IP65 Form B, leadwires (L) IP65/IP67//IP6K9K,
Deutsch Plug (N) IP65/IP67/IP6K9K
others on request
- **Mounting direction optional**,
by symmetrical coil design
- **Coil dimension = typification**
Type 32-1329 = 32mm high (13 mm inside Ø, 29 mm outside Ø)
- **Class UL 583 permitted coils available on demand**

SPECIFICATIONS

Coil duty rating:	100% continuous up to max. 115% of Coil voltage at max. 60° C ambient temperature
Max. permitted temperature at coil:	160° C
Power intake:	12 W at I _{max} and 20° C coil temperature
Windings:	to U.L. class N (180°C)
Outer shell:	steel, zinc plated
Plug socket:	Polyamide, black
(All data are valid for a coil mounted on valve)	

Description

In general the coil is produced as DC coil.



DIN plug according to EN 175-803 Form B for:

Connection to DC power
Part. No. 2600570

Connection to AC power
Part. No. 2600582
with integrated rectifier

MODEL CODE

Coil 12 DG01 – 32 -1329

Basic model _____

Coil voltage _____
 12 V DC
 24 V DC
 105 V DC (Only Connector type DG)
 205 V DC (Only Connector type DG) (at AC voltage
 Plug with suppressor diode necessary Mat. 2600582)

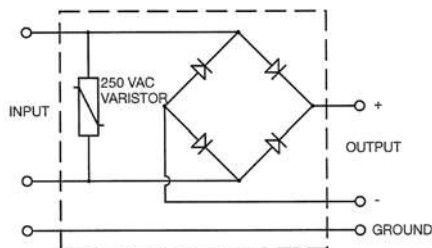
Type of voltage _____
 D = DC voltage DC, directional valve

Coil connectors _____
 G = Plug to EN175301-803 Form B, IP rating IP65
 L = 2 leadwires, 0.75mm², 450mm (18") long
 IP rating IP65 /IP67/IP6K9K
 N = Deutsch Plug, 2-poles, (DT04-2P) IP rating IP65/IP67/IP6K9K
 Other coil connectors on request

Variation (depending on connector) _____
 omission = Standard
 01, 02... = e. g. suppressor diode, different cable lengths, etc...
 others on request

Typification _____
 32-1329 = main measures (Height, inner diameter, outer diameter)

The model code only serves for your information, available products see chart.



Codes and corresponding Part No's.							
Nominal voltage (Volt)	Coil power (Watt)	Resis-tance (Ohm)	Nominal current (Amp.)		Part No's for connector		
					DIN (G)	leadwires (L)	Deutsch (N)
12 VDC	12	12,2	0,98		2610160	2610151	2610149
				with suppressor diode	2610268	2610267	2610210
24 VDC	12	48,7	0,49		2610161	2610162	3012599
				with suppressor diode	2610269	2610266	2610265
115 V AC*	12	980	0,11		2610156*	--	--
230 V AC*	12	3700	0,06		2610159*	--	--

*If using AC voltage a plug (Part no. 2600582) with rectifier is necessary
 Other connectors on request.

Annotation

The technical information in this brochure are relating to the operating conditions and applications.
 At deviant applications and/or operating conditions please contact the technical dept.
 Technical information are subject to technical modifications.

HYDAC Fluidtechnik GmbH
 Juustus-von-Liebig-Str.
 D-66280 Sulzbach/Saar
 Tel. 06897 / 509-01
 Fax 06897 / 509 598
 E-Mail: flutec@hydac.com